



- Small size
- Default temperature settings
- Easy to install
- High switching tolerance

Tamperproof (Pre-set) Thermostat FTO 011

Contact breaker / NC (red casing) for regulating heaters or for switching signal devices when temperature has fallen below the minimum value. The contact opens when temperature is rising.

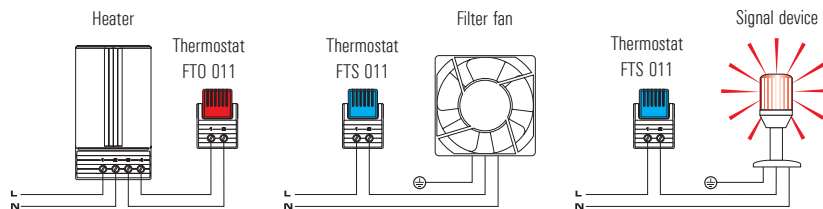
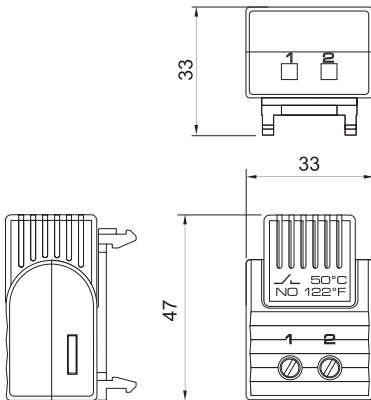
Tamperproof (Pre-set) Thermostat FTS 011

Contact maker / NO (blue casing) for regulating filter fans, heat exchangers, cooling devices or for switching signal devices when temperature limit has been exceeded. The contact closes when temperature is rising.



Technical Data

Sensor element	thermostatic bimetal
Contact type	snap-action contact
Contact resistance	< 20m Ω
Service life	> 100,000 cycles
Max. switching capacity	240V AC, 5 (1.6)A 120 VAC, 10 (2)A DC 30W
Max. inrush current	AC 10A
EMC	acc. to EN 55014-1-2, EN 61000-3-2, EN 61000-3-3
Connection	2-pole terminal for 2.5mm ² , torque 0.8Nm max.
Mounting	clip for 35mm DIN rail, EN 50022
Casing	plastic according to UL94 V-0, light grey
Dimensions	47 x 33 x 33mm
Weight	approx. 23g
Fitting position	variable
Operating/Storage temperature	-20 to +80°C (-4 to +176°F) / -45 to +80°C (-49 to +176°F)
Prot. type	IP20
Approvals	VDE + UL File No. E164102



Example of connection

Art. No.	Contact	Switch-off temperature	Switch-on temperature
01160.0-00	Contact breaker (NC)	15°C / 59°F (± 5K tolerance)	5°C / 41°F (± 5K tolerance)
01160.0-01	Contact breaker (NC)	25°C / 77°F (± 5K tolerance)	15°C / 59°F (± 5K tolerance)
		Switch-on temperature	Switch-off temperature
01161.0-00	Contact maker (NO)	50°C / 122°F (± 6K tolerance)	40°C / 104°F (± 7K tolerance)
01161.0-01	Contact maker (NO)	60°C / 140°F (± 6K tolerance)	50°C / 122°F (± 7K tolerance)
01161.0-02	Contact maker (NO)	35°C / 95°F (± 6K tolerance)	25°C / 77°F (± 7K tolerance)